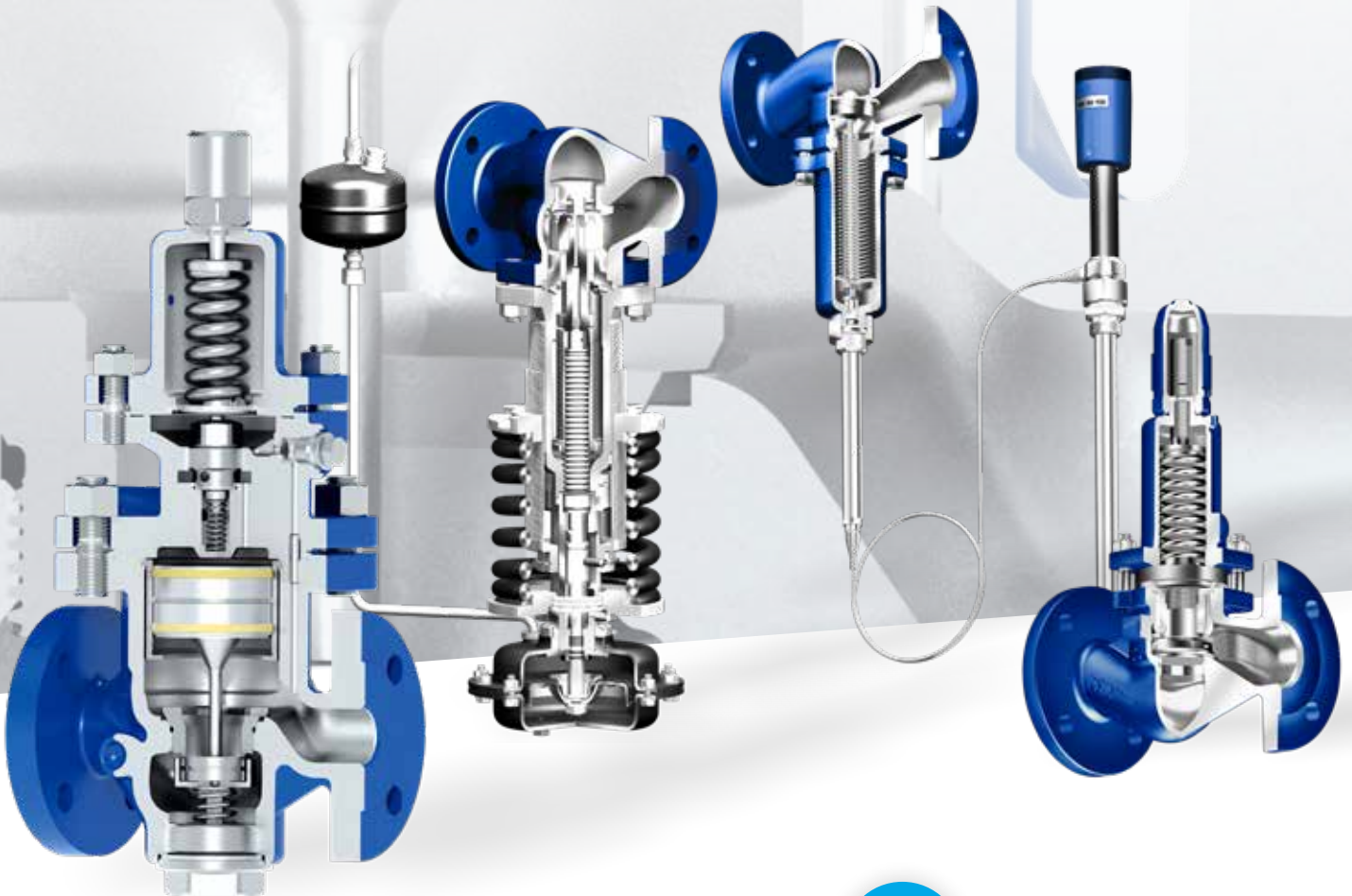




Your valve made by ARI®
ari-armaturen.com

CONTROL WITHOUT AUXILIARY ENERGY

PREDU® P – PREDU® – PRESO®
PREDEX® – TEMPTROL®



New from ARI®

The pilot operated pressure
reducing valve PREDU® P

Pilot Operated Pressure Reducing Valve

PREDU® P



Technical Performance

Media:

Steam and air

Design:

Piston design

Flanges:

DN 15 – 50

Screwed connection:

½" up to 2" NPT and G

Sealing elements:

PFAS free design

Body material:

1.0619+N, WCB, 1.4408, CF8M

Nominal pressure/class:

PN 16, PN 25, PN 40, ANSI 150, ANSI 300

Upstream pressure:

16 bar(g)

Downstream pressure:

10 % up to 85 % of upstream pressure
(min. 0,3 bar(g))

Max. differential pressure:

8,5 bar(g)

The regulator closes when the downstream pressure P_2 rises pilot operated with small control tolerances.

The PREDU® P is a self-acting pilot operated pressure reducing valve for use on steam and air, that will accurately control downstream pressure (P_2), regardless of the upstream pressure (P_1), or demand from the system. A pilot valve senses the downstream pressure (P_2) which in turn controls the main valve. The result is a very narrow proportional band which together with the low hysteresis enables very precise and stable pressure control.

- ✓ PFAS free design
- ✓ Low pressure regulating tolerances
- ✓ Accurate pressure control, even at high and variable flow rates
- ✓ Ensures even pressure regulation
- ✓ Longer lifetime due to internal strainer
- ✓ Easier maintenance due to removable piston guide
- ✓ Even easier to service due to hardened reversing plug (plug sealing surfaces on both sides) and replaceable screwed in seat
- ✓ Unauthorised adjustment due to protective cap
- ✓ Easy set point adjustment
- ✓ Only one adjusting spring required (good for distribution and stock)
- ✓ Compact design
- ✓ Low weight
- ✓ Robust pilot diaphragm
- ✓ Easy and cost-efficient installation due to internal pressure sensing
- ✓ If necessary, an external pressure sensing line is retrofittable.
- ✓ Robust and resistant piston design



Even easier to service due to hardened reversing plug (plug sealing surfaces on both sides)



PFAS free design

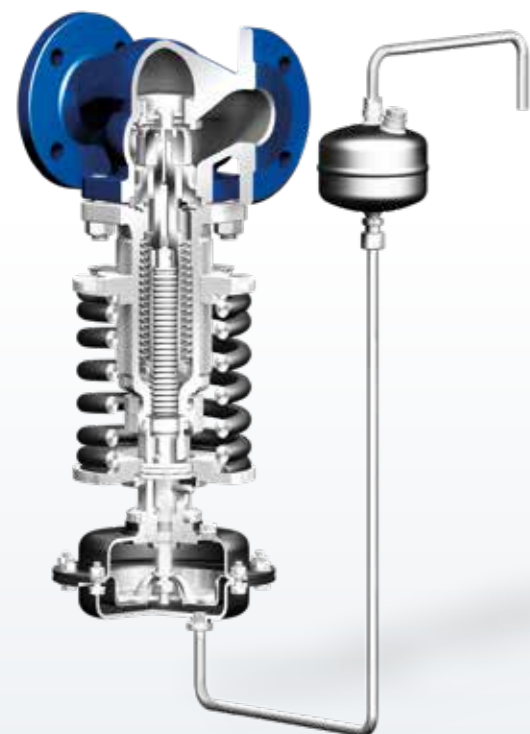


Safer due to additional integrated strainer



Save costs with internal pressure sensing lines and robust and resistant piston design

Pressure Reducer PREDU®



Technical Performance

Media:

Steam, gases, neutral gases, liquids

Body materials:

EN-JL 1040, EN-JS 1049, 1.0619+N, WCB, 1.4581, CF8M

Nominal diameter:

DN 15 up to DN 150, 1" up to 6"

Nominal pressure:

PN 16, PN 25, PN 40, ANSI 150, ANSI 300

Set point range:

0,2 up to 16 bar(g) (downstream pressure)

Industries:

Industry, process engineering, plant manufacturing



Spring Loaded Pressure Regulating Valve PRESO®



Straight through

Y pattern



Technical Performance

Media:

Steam, gases and liquids

Body material:

1.0619+N, WCB, 1.4408, CF8M

Nominal diameter:

DN 15 up to DN 150, 1" up to 6"

Nominal pressure:

PN 16, ANSI 150

Set point range:

0,5 up to 10 bar(g) (differential pressure)

Industries:

Industry, process engineering, plant manufacturing

Valve closes when the downstream pressure rises.
Diaphragm operated. High performance.

- ✓ Low operating costs – no maintenance required
- ✓ Easy adjustment due to pillar free design
- ✓ Space saving installation due to compact construction
- ✓ Flow divider for noise reduction (also suitable for retrofitting)
- ✓ Very high control accuracy due to inlet pressure compensation by balancing tubes and bellows
- ✓ Diaphragm actuator for high flow capacities
- ✓ High control accuracy due to reducible kv values
- ✓ Secondary bellows seal (optional) provides added plant safety
- ✓ Permanent leak proof performance due to soft sealing plug (leakage rate A acc. to EN 12266-1) (optional)



Very high control accuracy due to inlet pressure compensation by balancing tubes (PREDU® / PREDEX®)



Easy adjustment due to pillar free design (PREDU® / PREDEX®)



Sealing bellows as standard (PREDU® / PREDEX®)

Valve opens when the differential pressure rises. Directly operated.
The economical alternative – for low flow capacities.

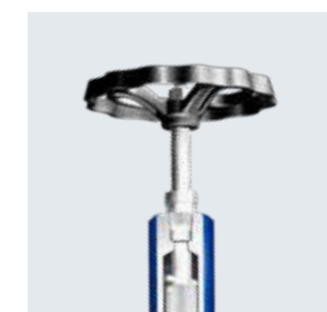
- ✓ Low operating costs – no maintenance required
- ✓ Optimal leak proof performance due to soft sealing plug (optional)
- ✓ Space-saving installation due to compact construction
- ✓ High reliability due to rugged plug guide (shaft guided plug)
- ✓ Easy adjustment permits optimal handling (handwheel)
- ✓ No pressure fluctuations due to proportional control characteristics (regulating plug guarantees uniform function)
- ✓ Lean technology concept means economical operation
- ✓ Durable because standard version has a bellows seal



Durable because standard version has a bellows seal



Optimal leak proof performance due to soft sealing plug



Easy adjustment with handwheel permits optimal handling

Pressure Regulator PREDEX®

Technical Performance

Media:

Steam, gases, neutral gases, liquids

Body material:

EN-JL 1040, EN-JS 1049, 1.0619+N, WCB, 1.4581, CF8M

Nominal diameter:

DN 15 up to DN 150, 1" up to 6"

Nominal pressure:

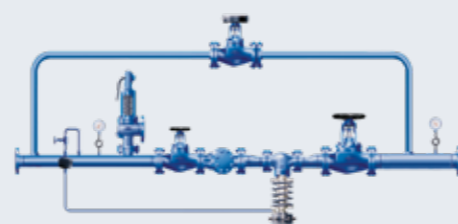
PN 16, PN 25, PN 40, ANSI 150, ANSI 300

Set point range:

0,2 up to 16 bar(g) (upstream pressure)

Industries:

Industry, process engineering, plant manufacturing



Valve opens when the upstream pressure P_1 rises.
Diaphragm operated. High performance.

- ✓ Low operating costs – no maintenance required
- ✓ Easy adjustment of the inlet pressure due to stainless steel set point bonnet and pillar-free design
- ✓ Space-saving installation due to compact construction
- ✓ Flow divider for noise reduction (also suitable for retrofitting)
- ✓ Very high control accuracy due to inlet pressure compensation by balancing tubes and bellows
- ✓ Diaphragm actuator for high flow capacities
- ✓ High control accuracy due to reducible kv values
- ✓ Secondary bellows seal (optional) provides added plant safety
- ✓ Permanent leak proof performance due to soft sealing plug (leakage rate A acc. to EN 12266-1) (optional)



Easy adjustment of the inlet pressure due to stainless steel set point bonnet (PREDEX®)



Flow divider for noise reduction (PREDEX® / PREDU®)



Permanent leak proof performance due to soft sealing plug (PREDEX® / PREDU®)

Temperature Controller TEMPTROL®

Technical Performance

Media:

Steam, gases, neutral gases, liquids

Body material:

1.0619+N, WCB, 1.4408, CF8M

Nominal diameter:

DN 15 up to DN 100, 1" up to 4"

Nominal pressure:

PN 16, PN 25, PN 40, ANSI 150, ANSI 300

Set point range:

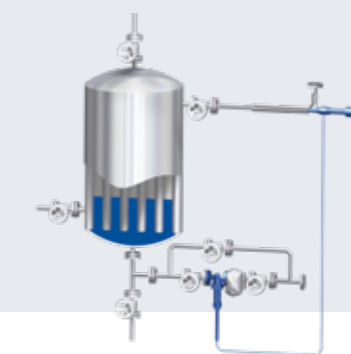
-20 °C to 50 °C, 0 °C to 70 °C, 30 °C to 100 °C, 60 °C to 130 °C, 130 °C to 200 °C

Industries:

Industry, process engineering, plant manufacturing, heating systems and district heating



TÜV-approval acc. to DIN EN 14597
Reg.-No. TR910/TW911
Approved through Germanischen Lloyd



The temperature regulating valve acting depends on the sensor temperature.

- ✓ Low operating costs – no maintenance required
- ✓ High control accuracy due to inlet pressure compensation by balancing tubes and bellows
- ✓ Bellows seal in the actuator additionally improves safety (by preventing control liquid loss)
- ✓ High flexibility – three controller sizes allow optimal selection of the proportional band
- ✓ High performance due to the temperature sensors having different time constants
- ✓ Excess temperature protector provides added safety
- ✓ Simple handling
 - Precise and easy adjustment
 - Adjustable setting range
 - Sensor pockets (for replacing the sensor without interrupting plant operation)
 - Manual control device (for integrated shut-off function)



Thermal closing valve (for heating systems) closes when the temperature at the sensor rises



Thermal opening valve (for cooling systems) opens when the temperature at the sensor rises



Thermal mixing valve (for mixing and diverting systems) reduces or closes vertical port when the temperature at the sensor rises

ARI® Product Variety



Profit from our one-stop shop philosophy.

At ARI®, we stand for reliability, passion for technology and personal commitment to our customers. Our high-quality products are specifically manufactured to meet your individual requirements: Your valve made by ARI®. Please don't hesitate to ask for more information, we look forward to advising you.



Control Valves



Globe Valves



Butterfly Valves



Safety Relief Valves



Steam Traps



System Solutions



Your valve made by ARI®
ari-armaturen.com

ARI-Armaturen Albert Richter GmbH & Co. KG

Mergelheide 56-60

D-33758 Schloß Holte-Stukenbrock

Phone: +49 5207 994-0

Email: info.sales@ari-armaturen.com