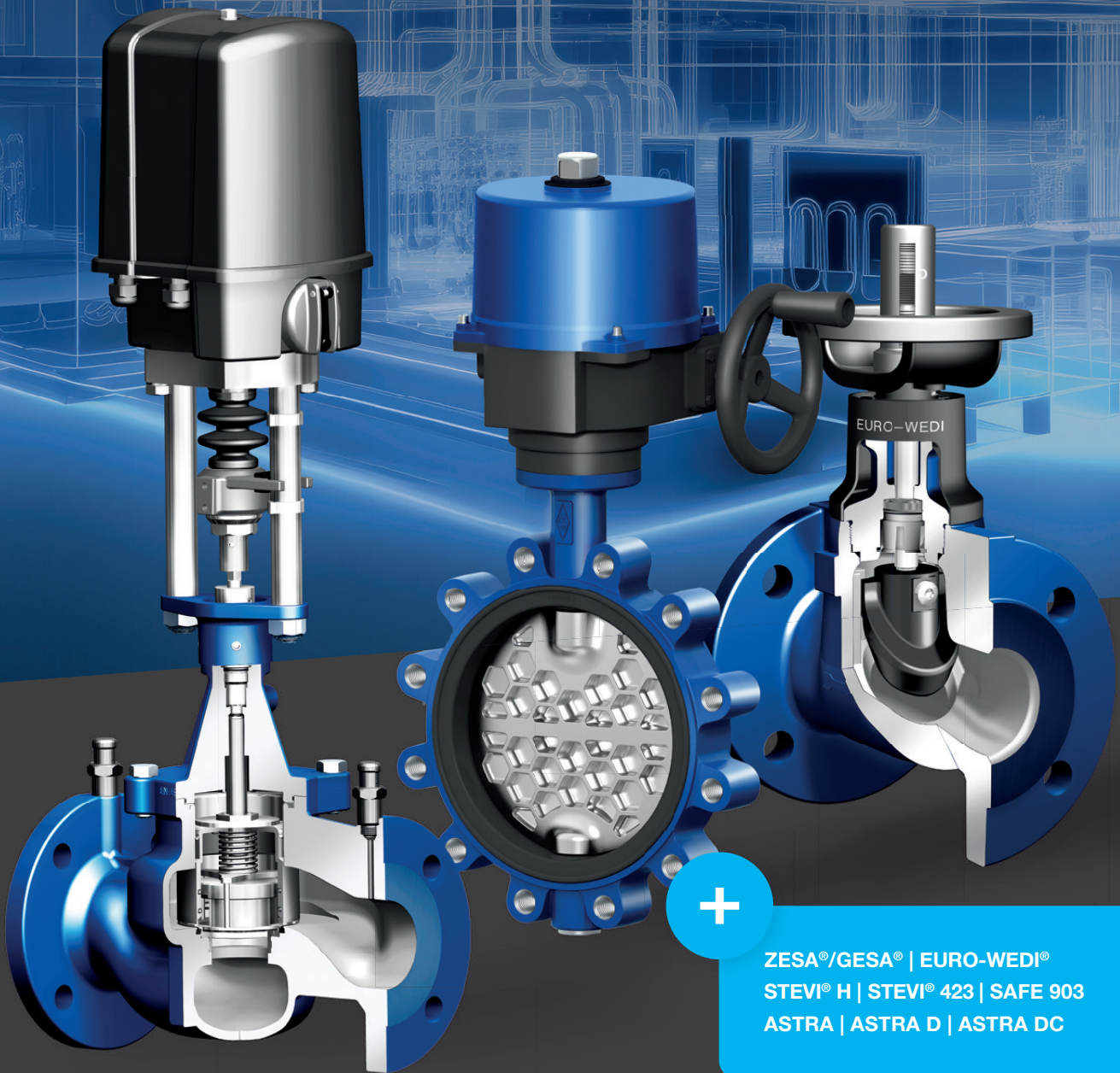




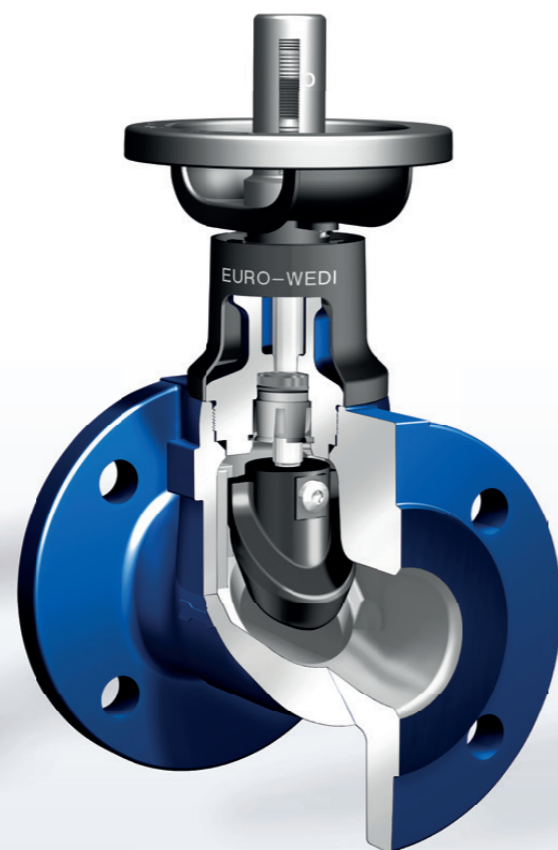
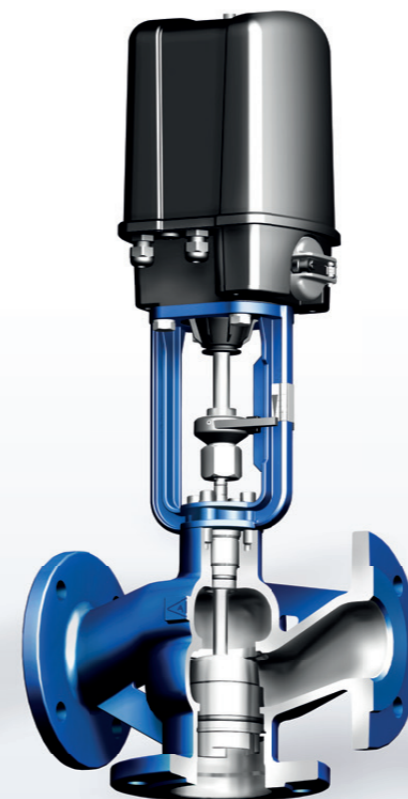
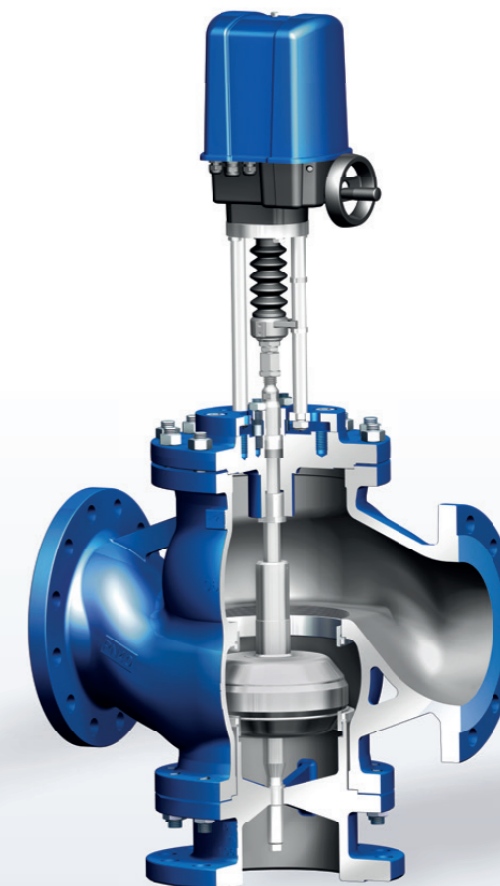
Your valve made by ARI®
ari-armaturen.com

VALVES FOR EFFICIENT BUILDING TECHNOLOGY

HEATING – AIR CONDITIONING
COLD WATER



ZESA®/GESA® | EURO-WEDI®
STEVI® H | STEVI® 423 | SAFE 903
ASTRA | ASTRA D | ASTRA DC

ZESA®/GESA®**EURO-WEDI®****STEVI® H****STEVI® 423****ZESA®/GESA®**

Butterfly valve, soft-sealing and maintenance-free

DN 25 to 600 | PN 6/16 | -10 to +130 °C

- ✓ EPDM liner as standard, stainless steel disc and stem with hollow shaft for optional thermo appliance
- ✓ DIN DVGW registration for drinking water
- ✓ Mounting flange acc. to EN ISO 5211 for easy actuator mounting

EURO-WEDI®

Stop valve, soft-sealing and maintenance-free

**DN ½" to 2" | DN 15 to 200 | PN 6/16
-10 to +120 °C (up to 130 °C for a short time)**

- ✓ Can be fully insulated
- ✓ Non-rising handwheel with non-rotation lock, position indicator and travel limiter
- ✓ Stem seal featuring an elastic double sealing mechanism in combination with a scraper

STEVI® H

Control valve in straightway or combined design

**DN ½" to 2" | DN 15 to 250
PN 6/16 | -10 to +120 °C**

- ✓ Tight closing, ports A and B
- ✓ Screw connections included
- ✓ Electric actuator 0 – 10 V or 3-point control

STEVI® 423

Classic control valve for universal applications

**DN 200 to 300 | PN 16/25 | -10 to +250 °C
(other versions up to 450 °C)**

- ✓ Flexible in use (mixing or diverting operation)
- ✓ Changeable screwed seat rings
- ✓ ARI-PREMIO® (Plus 2G) electric actuator with automatic start-up function



For more information, visit the ZESA®/GESA® landing page.



Find out more about our EURO-WEDI® shut-off valve.



Find out more about our STEVI® H control valve.

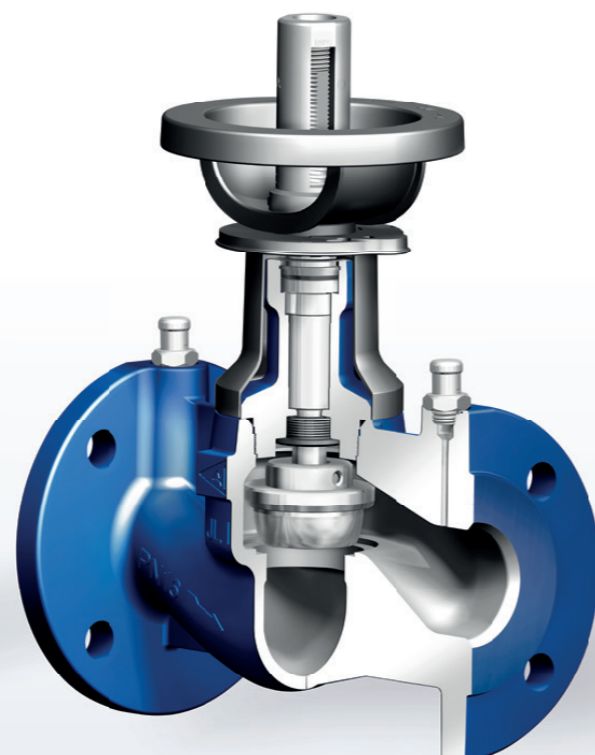


Find out more about our classic control valve STEVI® 423.

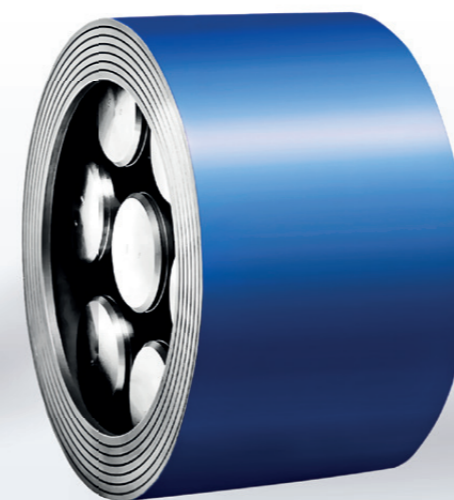
SAFE 903



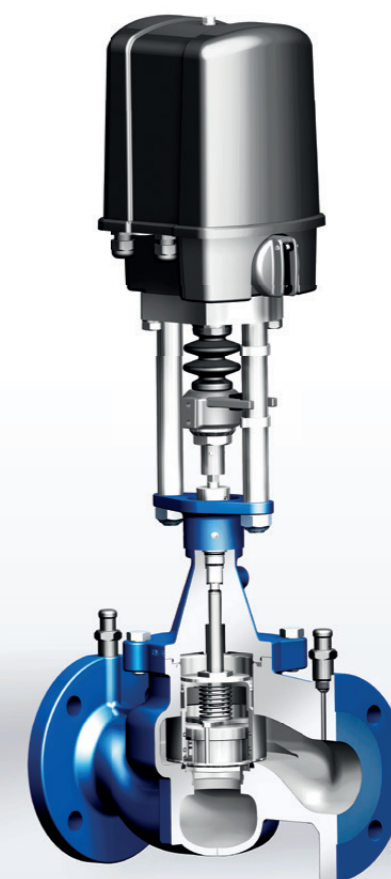
ASTRA



ASTRA D



ASTRA DC



SAFE 903

Standard safety valve, spring loaded

DN 20 to 150 | PN 16/25 | -10 to 120 °C

- ✓ Type-test approval D/G/H for vapours, gases, hot water
- ✓ Type-test approved acc. to EN ISO 4126-1, DIN EN 12828 and TRD 721
- ✓ Metal seat with EPDM insert and EPDM-bellows

ASTRA

Static flow regulating valve, soft-sealing and maintenance-free

DN 15 to 500 | PN 16 | -10 to +120 °C (up to 130 °C for a short time), (DN 250 to 500: up to 200 °C)

- ✓ Non-rising handwheel, travel limiter and digital display (DN 250 – 500 with travel indicator (scale))
- ✓ Integrated pressure gauge studs as standard
- ✓ Adjustable using the ARImetec-DX measuring instrument

ASTRA D

Dynamic flow regulating valve

DN 50 to 800 | PN 16/25 | -10 to +110 °C

- ✓ Rapid start-up due to automatic hydraulic balancing
- ✓ Can be fully insulated
- ✓ Integrated pressure gauge studs as standard

ASTRA DC

Pressure independent control valve

DN 50 to 150 | PN 16/25 | 0 to 120 °C

- ✓ Easy selection based on volume flow data (faster project handling)
- ✓ Fewer control valves in total due to the combined 3-in-1 design (dynamic volume flow regulator, differential pressure regulator, control valve)
- ✓ Electric actuator 0 – 10 V or 3-point control



Find out more about our SAFE 903 standard safety valve.



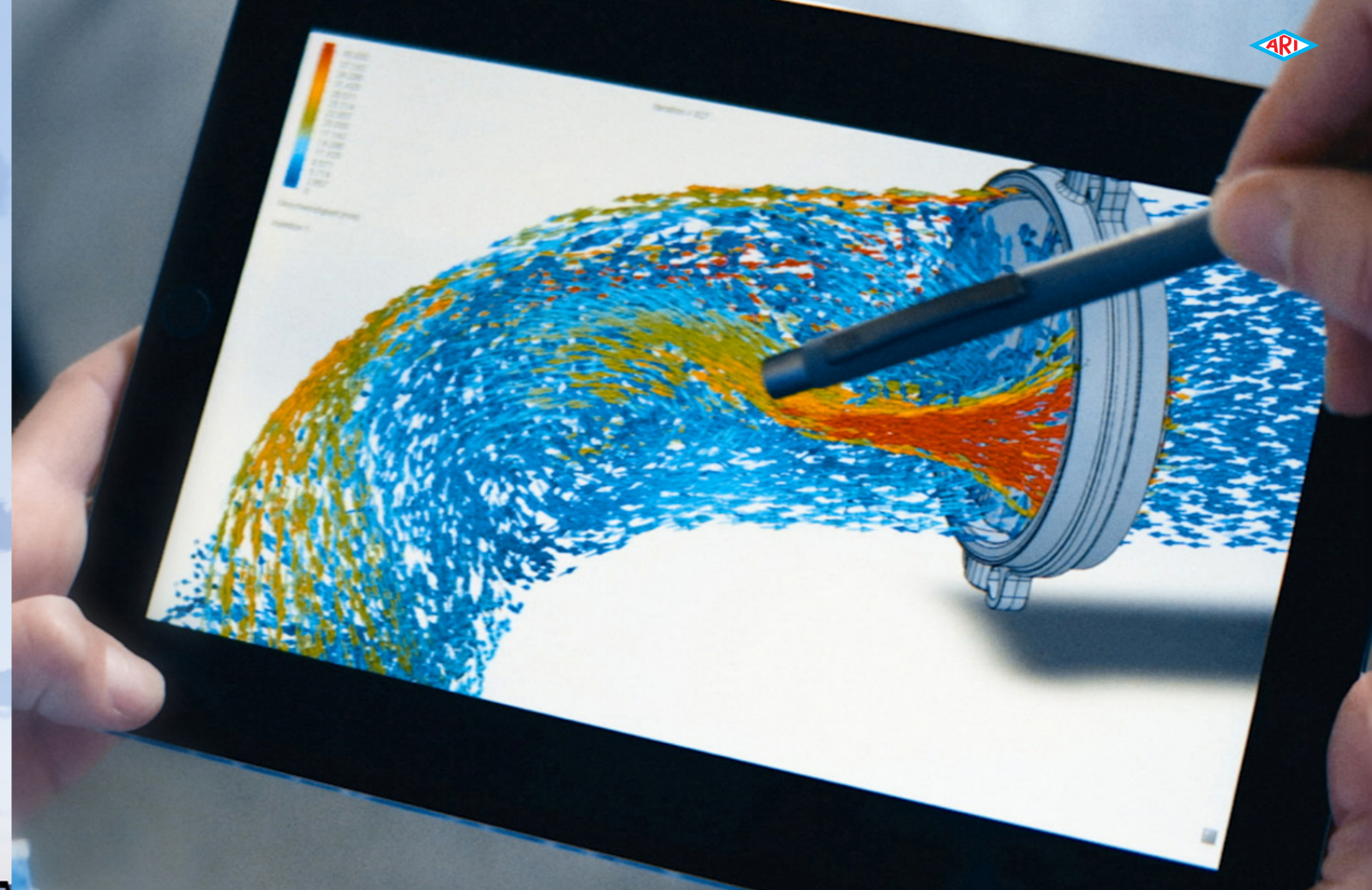
Find out more about our ASTRA balancing valve.



Find out more about our ASTRA D volume flow limiter.



Find out more about our ASTRA DC volume flow controller.



WE ARE BIM-READY

Plan your HVAC Systems using ARI® BIM Data

BIM stands for Building Information Modelling and enables all relevant building data to be digitally modelled, combined and documented. All data – such as materials used, individual components, entire systems or pre-installed sanitary, heating and air conditioning equipment – is documented down to the smallest detail. Planners profit from a comprehensive database of information on the building that can be updated whenever necessary, even at short notice.

Plan with our comprehensive BIM data! Advantages for you through even more efficient planning:

- ✔ Up-to-date, relevant data immediately and continuously available to all stakeholders
- ✔ Improved data quality (common database, constantly synchronised)
- ✔ More efficient exchange of information between everyone involved in the planning process
- ✔ Continuous data preparation throughout a building's life cycle

BIM planning data for almost any ARI product can in future be downloaded via ARGE New Media. The current version moreover meets BIM-compatible information requirements of system planners and operators. The following dataset output formats are supported: STEP, DWG, DXF and IGES. Direct integration into REVIT or AutoCAD is also supported.



ARGE New Media BIM download portal.



For more information, please visit our website.

myValve® HVAC – THE CHOICE IS YOURS

10,000 products in more than 100,000 variants!
Now especially for HVAC applications

For perfection in planning and engineering

myValve® HVAC, the ARI valve sizing program, provides direct access to all information which is relevant for planning and engineering your individual application. Following on from the industrial version, you can now also benefit from a new version that was created especially for HVAC applications and is optimised for heating, cold water, air conditioning, ventilation and cooling.

myValve® HVAC not only lets you calculate your ARI® system components. You can also show all other data about the chosen product such as order information, tender specifications, spare parts drawings, operating instructions, data sheets, etc. whenever you need it.

myValve® HVAC – This is how you plan perfectly:

Project administration of calculation and product data with Excel interface incl. spare parts drawing per project and tag number

- ✔ Direct output of calculation and product data in PDF format
- ✔ Product data can be used directly for ordering
- ✔ Choice of overpressure or absolute pressure setting
- ✔ ARI® valves integrated in a database

- ✔ Direct access per product to data sheets, operating instructions, pressure/temperature diagrams, controller characteristics, spare parts drawings, CAD symbols and tender specifications
- ✔ CAD files in STEP or DWG format
- ✔ Tender specifications also possible in GAEB format
- ✔ Option of integration in your company network (no need for complex installation on individual PCs)
- ✔ Extensive catalogue covering several product groups



You can find a free download link to myValve® HVAC on our website.

ARI® product variety



Profit from our one-stop shop philosophy.

At ARI®, we stand for reliability, passion for technology and personal commitment to our customers. Our high-quality products are specifically manufactured to meet your individual requirements: Your valve made by ARI®. Please don't hesitate to ask for more information, we look forward to advising you.



Control valves



Globe valves



Butterfly valves



Safety valves



Regulating valves



Engineered systems



Your valve made by ARI®
ari-armaturen.com

ARI-Armaturen Albert Richter GmbH & Co. KG

Mergelheide 56-60
D-33758 Schloß Holte-Stukenbrock

Phone: +49 5207 994-0
E-Mail: info.sales@ari-armaturen.com